

Type 3110 & 3120

marshbellofram.com

Product Information
Model 3110 / 3120
Electronic Controller

Features

- Very compact
- Mounts on panel, DIN rail, or directly to multi-station manifold
- Not sensitive to mounting orientation
- No air consumption at steady state output pressure
- Multiple command/monitor signals
- Closed Loop - single loop standard, double loop optional

Applications

- Instrumentation
- Manufacturing
- Process Control
- Medical
- Web Tension
- Automation

Operational Description

- At only 2" by 2.8" the 3110 electro-pneumatic servo pressure controller is the most compact card-mounted unit in the Marsh Bellofram product line.
- Standard command signal inputs are 0-10 VDC or 4-20 mA. A 0-10 VDC monitor signal is standard, but others are available.
- Double loop option (3120) permits 0-10 VDC feedback from a remote sensor.
- A pressure sensor in the manifold block provides accuracy to $\pm 0.5\%$ or better, full scale.
- Many output ranges are available, from 29" Hg / 740mm Hg vacuum to 600 psig / 41 BAR (in different models.)
- Two manifold blocks are available to provide a choice of mounting:
 1. Front ports (as shown) to mount directly to a panel or inserted into a DIN rail tray.
 2. Bottom ports to mount on a multi-unit manifold.
Custom multi-unit manifolds available.

MB MARSH BELLOFRAM
marshbellofram.com

MARSH BELLOFRAM
Route 2, Box 305
Newell, WV 26050
1-800-727-5646
(304) 387-1200
FAX: (304) 387-1212
LT3110 5M 10/01

MARSH BELLOFRAM EUROPE
9 Castle Park, Queens Drive
Nottingham NG2 1AH, UK
Tel +44 (0) 115 993 3300
Fax +44 (0) 115 993 3301

ElectroPneumatics

SPECIFICATIONS

PNEUMATICS

Output Pressure Ranges	Vacuum to 600 psig (41 BAR)
Flow	1.25 SCFM max. (35.3 slpm)
Min. Control Vol.	1 cu. inch
Filtration	40 micron built-in
Linearity (independent)	± 0.2% FS
Repeatability	± 0.2% FS
Accuracy	± 0.5% FS
Hysteresis	± 0.5% FS
Supply Pressure	110% of max output pressure

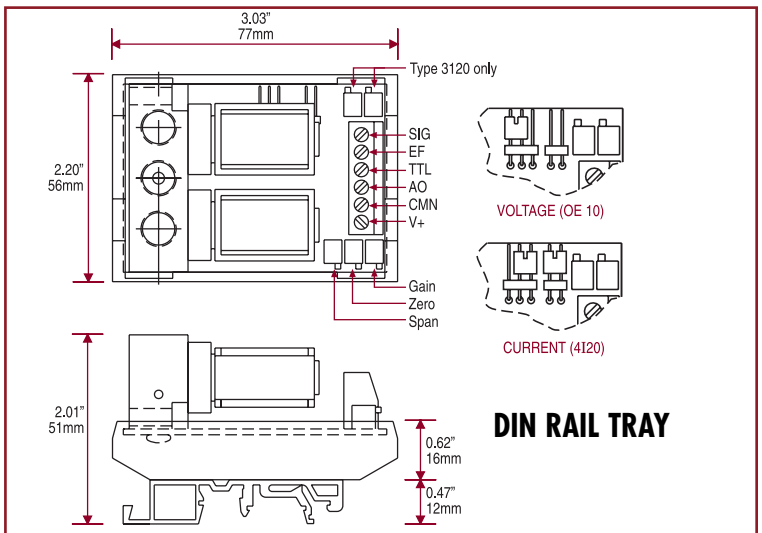
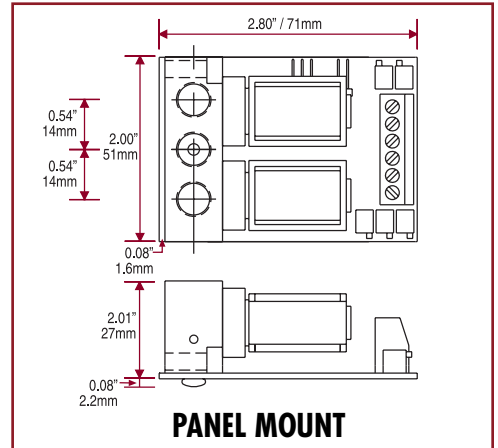
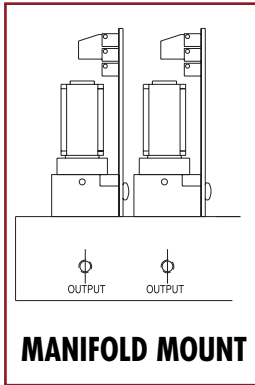
ELECTRICAL

Supply Voltage	15-24 VDC
Supply Current	80 mA standby; 250 mA max
Command Signal (field selectable)	
Voltage	0-10 VDC
Current	4-20 mA
Analog Monitor Output	0-10 VDC standard
Logic Monitor Output	0 VDC Low, 5 VDC High

ENVIRONMENTAL

Operating Temp	32 to 141°F (0 to 60°C)
Materials	
Wetted Parts	Aluminum, nickel, BUNA-N, 316 SS

Product Information Model 3110 / 3120 Electronic Controller



HOW TO CREATE A 3110 or 3120 PART#

BASE MODEL NUMBER	COMMAND SIGNAL	OUTPUT PRESSURE RANGE	MOUNTING	PORT SIZE	CONNECTOR	OPTIONS
1 0 T					0	
<p>1 Single loop</p> <p>2 Double loop</p>	<p>E 0-10 VDC</p> <p>I 4-20 mA</p>	<p>Please indicate the lower limit of output pressure range down to 0 psi absolute ∞</p> <p>G Gauge (psig)</p> <p>A Absolute (psia)</p> <p>V Vacuum ("Hg)</p> <p>W Water column ("H₂O)</p>	<p>Please indicate the upper limit of pressure range up to 600 psig (Manifold mount: 150 psig max.)</p> <p>D DIN Rail Mount</p> <p>P Panel Mount</p> <p>M Manifold Mount (Manifold must be ordered separately)</p>	<p>0 Δ 1/8" NPT Input & Output Ports & Manifold Mount</p> <p>1 1/8" BSPT Input & Output Ports</p> <p>2 1/8" BSPP Input & Output Ports</p>	<p>0 Terminal Block</p>	<p>00 No Options</p> <p>Consult Factory For Options</p>

Δ For manifold mount enter 0 for port size

∞ If lower limit of output pressure range is more than 1 digit, consult factory.

ORDERING EXAMPLE: 110TE4W040D2000 - This is a single loop Type 3110, 0-10 VDC command signal, calibrated for 4" to 40" water column output with DIN rail mounting, 1/8" BSPP and no options. (Terminal block connector is standard for this unit.)

For more information please contact the Applications Department at 1-800-727-5646